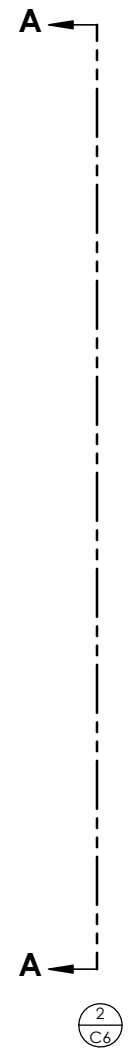
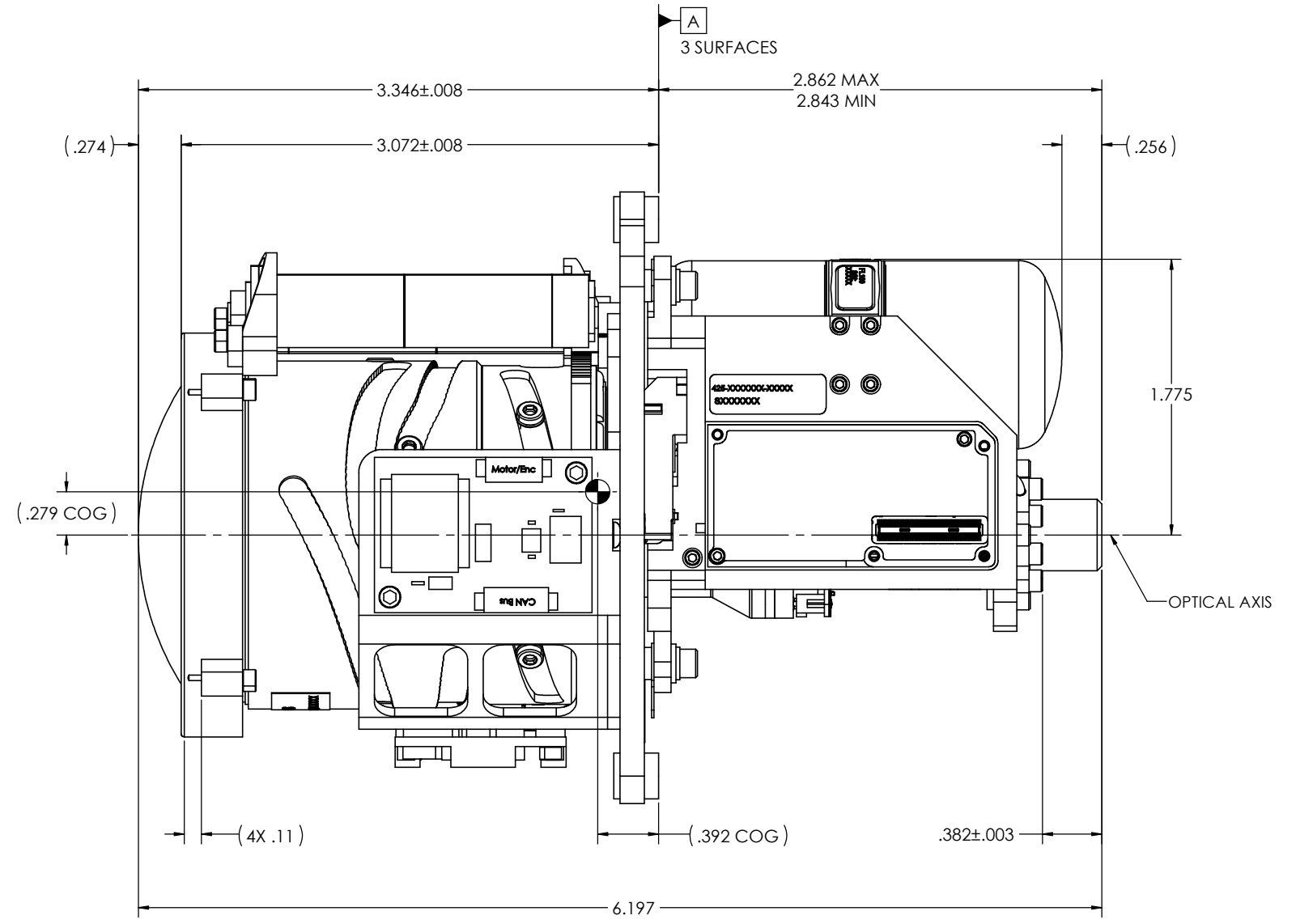
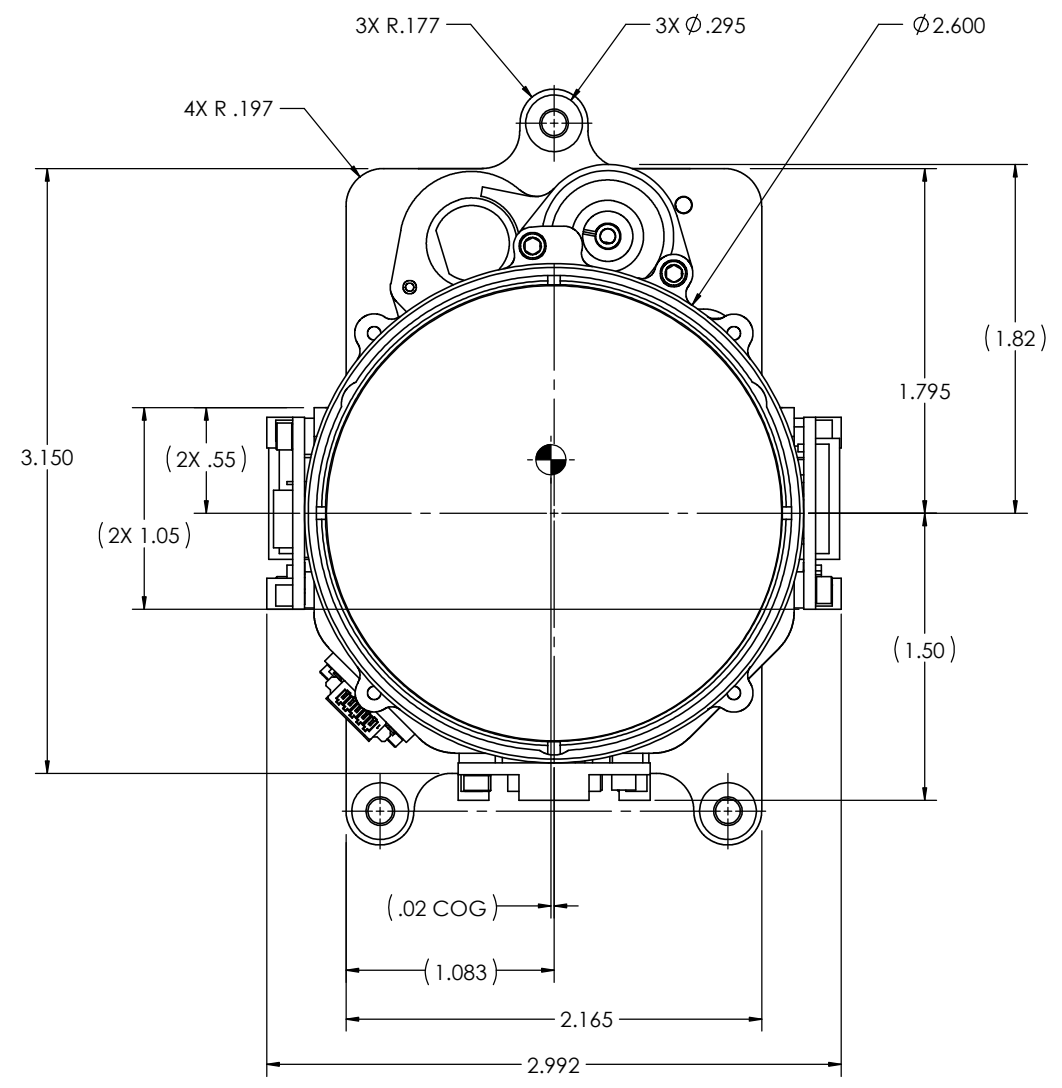


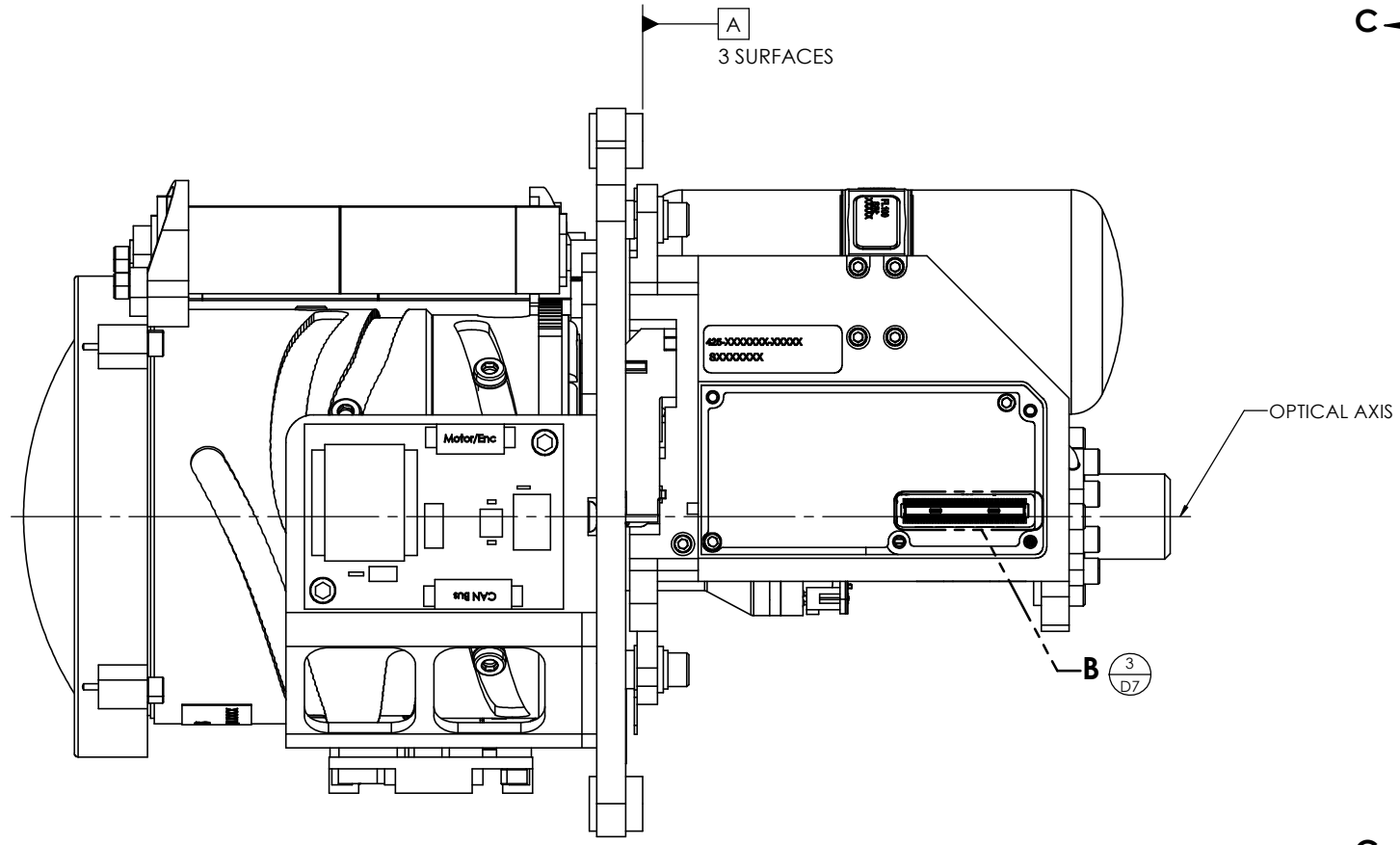
REVISIONS				
ZONE	REV	DESCRIPTION	DATE	APPROVED
	P02	MODIFIED DRAWING BORDER	05/05/2020	
	P03	REVISED SHIM STACK	05/08/2020	
	A	RELEASE PER ECN 210732	05/28/2020	

- NOTES: UNLESS OTHERWISE SPECIFIED
- CONNECTOR INTERFACE: HIROSE DF40C-80DP-0.4V(51). MATING CONNECTOR HIROSE DF40C(4.0)80DS-04V(51). FOR PIN-OUT DESIGNATIONS SEE NEUTRINO LC ENGINEERING DATASHEET.
 - LENS CONNECTOR INTERFACE: MOLEX 532610671. MATING CONNECTOR MOLEX 510210600. FOR PIN-OUT DESIGNATIONS SEE NEUTRINO LC/CZ 19-290 ENGINEERING DATASHEET.
 - COOLER CONTROLLER CONNECTOR INTERFACE: MOLEX 5037630491. MATING CONNECTOR MOLEX 5037640401. FOR PIN-OUT DESIGNATIONS SEE NEUTRINO LC ENGINEERING DATASHEET.
 - MASS: 780 GRAMS, (27.5 OUNCES).



INCHES THIRD ANGLE PROJECTION	INTERPRET DRAWING PER ASME Y14.5M-1994 UNLESS OTHERWISE SPECIFIED SURFACE ROUGHNESS 32 X = ±.01 .XX = ±.005 ANGULAR = ±.5° FILLET RADII = .005 MAX	MATERIAL SEE NOTE 1 FINISH SEE NOTE 2 UNLESS OTHERWISE SPECIFIED ALL MEASUREMENTS ARE IN INCHES. ALL DIMENSIONS IN [] ARE MM. DO NOT SCALE DRAWING. CALC WT: 528.890 GRAMS	PROJECT NO.	APPROVALS		DATE	FLIR Systems, Inc. 6769 Hollister Ave. Goleta, CA 93117
			DWN	CHK	DSGN D. CLAY	07/11/20	
SIZE D	CAGE 064Y2	DWG NO. 425-0043-19	REV A	SCALE 2:1	PRINTED: 5/28/2020	SHEET 1 OF 3	

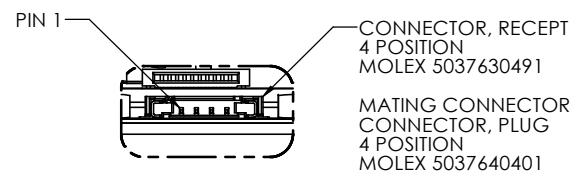
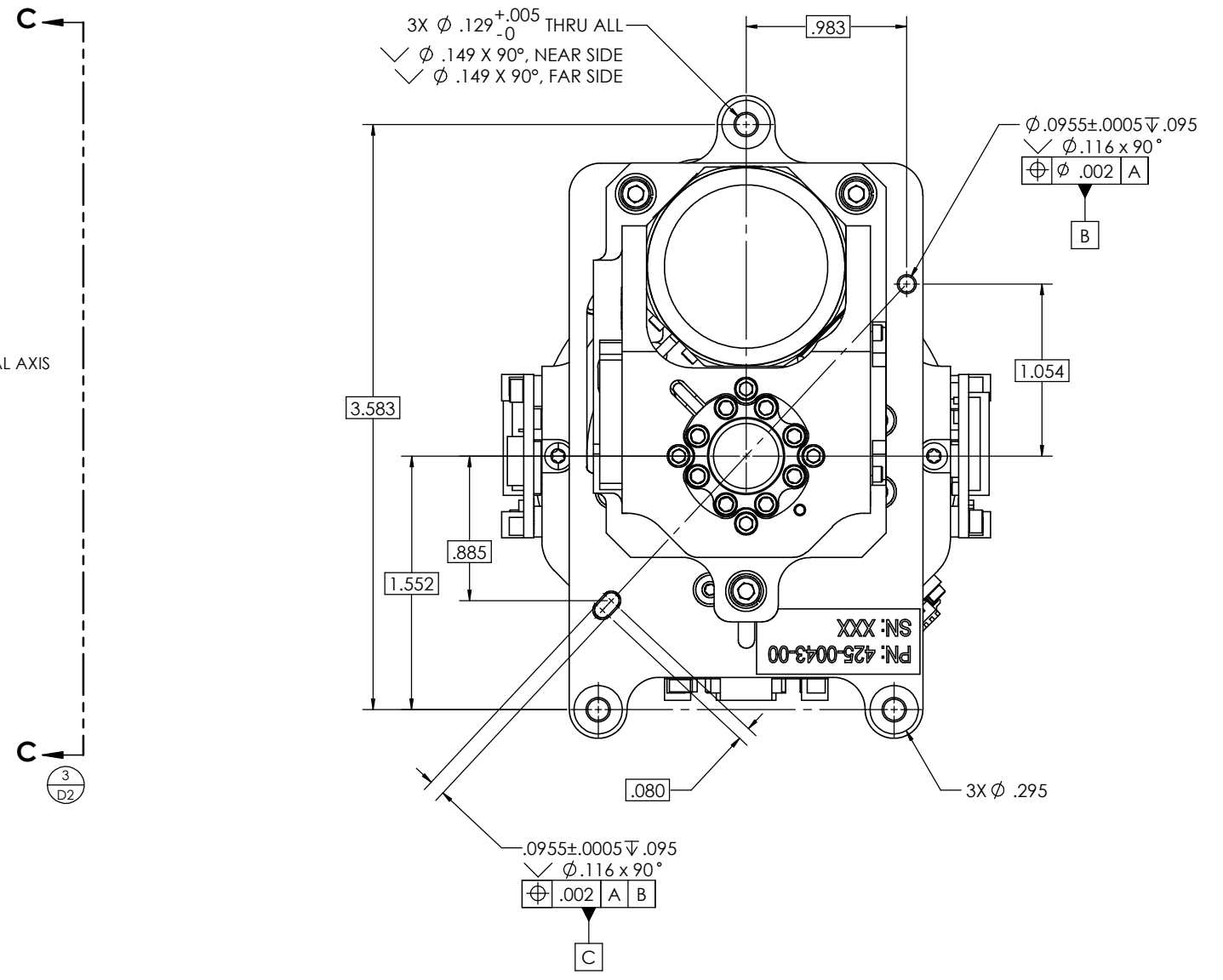
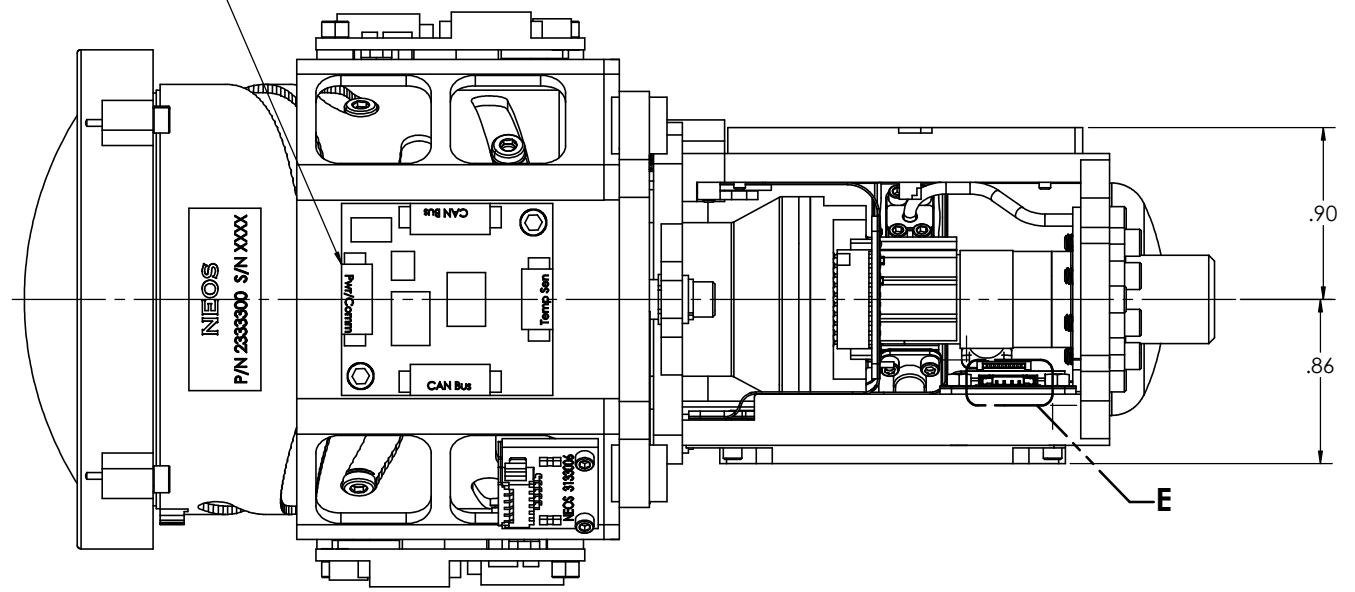
DWG NO. 425-0043-19 SH 1 REV A



VIEW A-A

1
F13

LENS INTERFACE CONNECTOR
MOLEX 532610671



DETAIL E
SCALE 4 : 1

DWG NO. 425-0043-19 SH 2 REV A

INCHES

ICD - CAMERA ASSY., 0403, f/5.5,
19-290 CZL, GENERIC

	FLIR Systems, Inc. 6769 Hollister Ave Goleta, CA 93117	SIZE D	CAGE 064Y2	PIECE PART 425-0043-19	REV A
	SCALE 2:1	PRINTED: 5/28/2020	SHEET 2 OF 3		

8

7

6

5

4

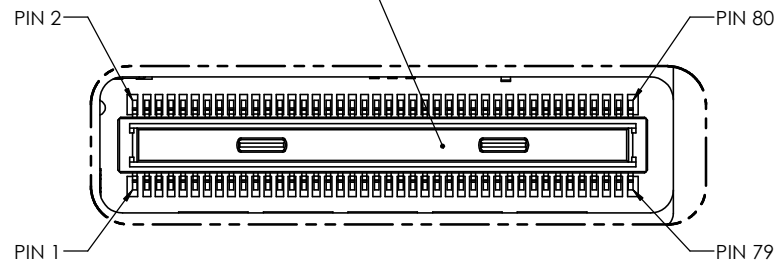
3

DWG NO. 425-0043-19

SH 3 REV A

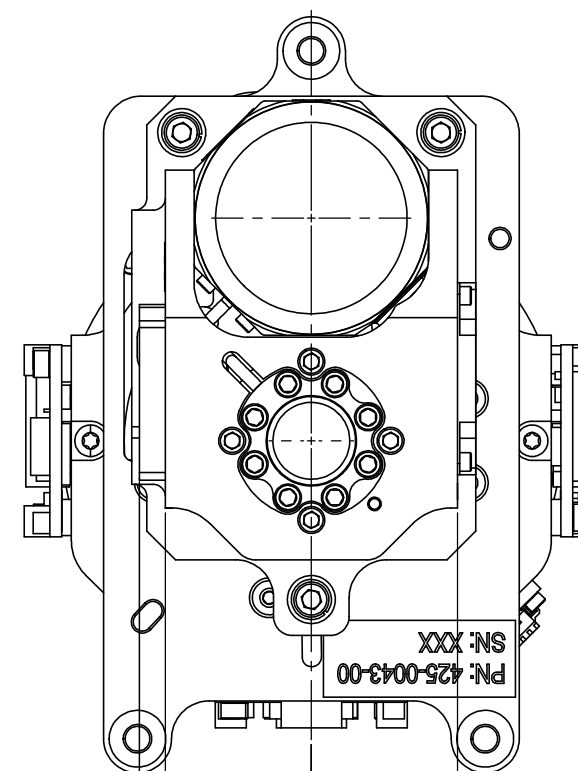
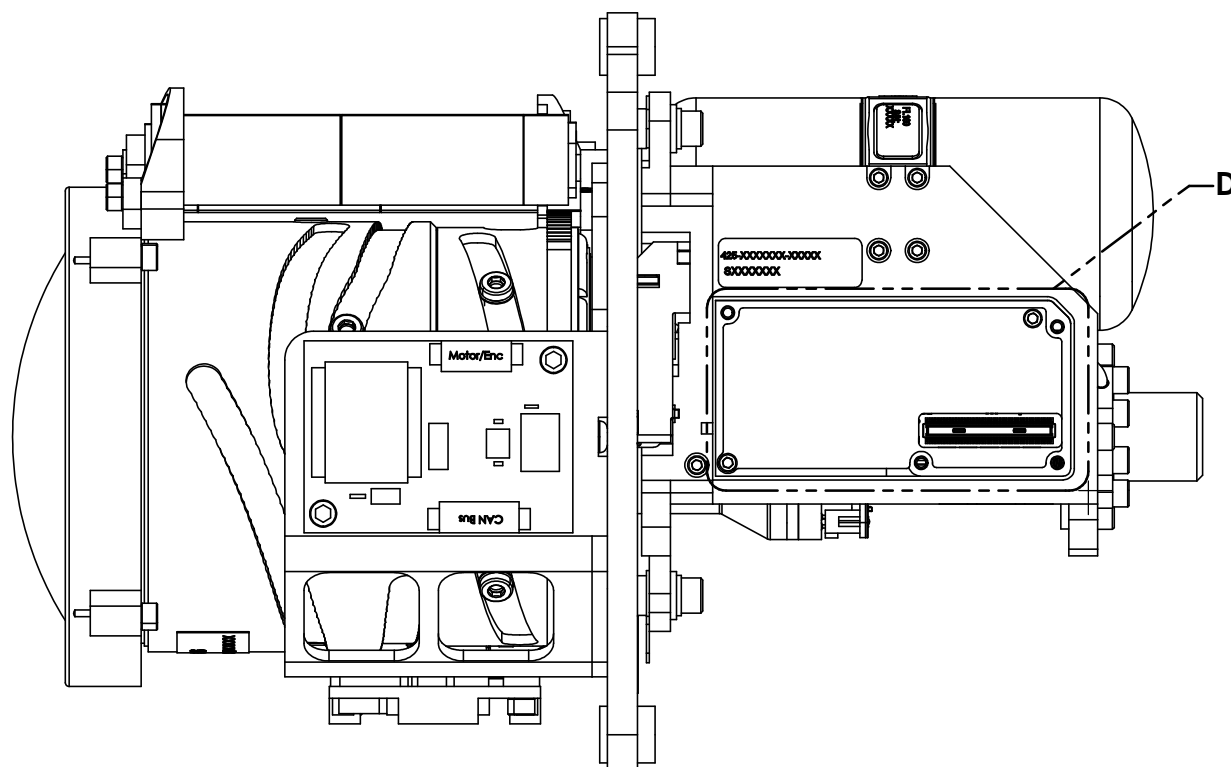
1

CONNECTOR HEADER
 HIROSE DF40C-80DP-0.4V(51)
 MATING CONNECTOR
 STACKING HEIGHT 4.0mm
 OUTER PINS ON CONNECTOR
 FOR MECHANICAL SUPPORT ONLY



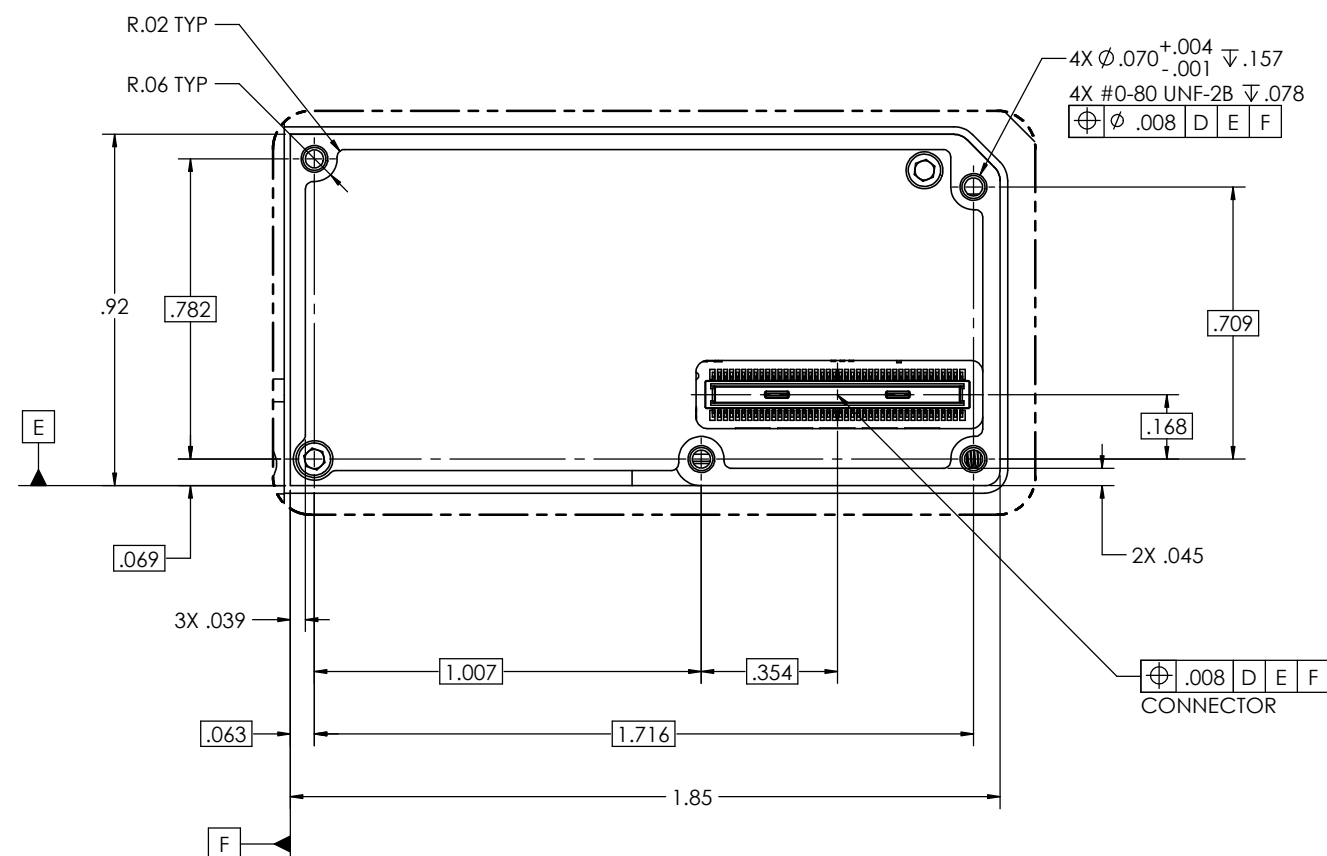
DETAIL B
 SCALE 8 : 1

2
 C6



VIEW C-C

2
 C6



DETAIL D
 SCALE 4 : 1

INCHES

ICD - CAMERA ASSY., 0403, f/5.5,
 19-290 CZL, GENERIC



FLIR Systems, Inc.
 6769 Hollister Ave
 Goleta, CA 93117

SIZE D	CAGE 064Y2	PIECE PART 425-0043-19	REV A
SCALE 2:1	PRINTED 5/28/2020	SHEET 3 OF 3	

SOLIDWORKS MODEL: 425-0043-00 0403 f55 19-290 czl gen
 MODEL REVISION: A

8

7

6

5

4

3

2

1

DWG NO. 425-0043-19
 SH 3 REV A